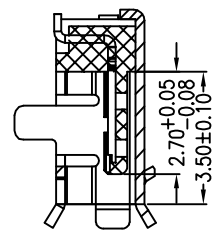


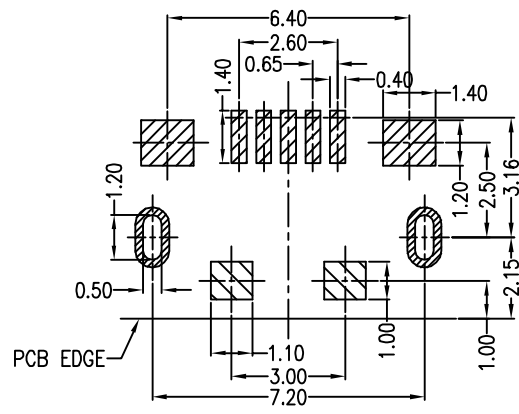
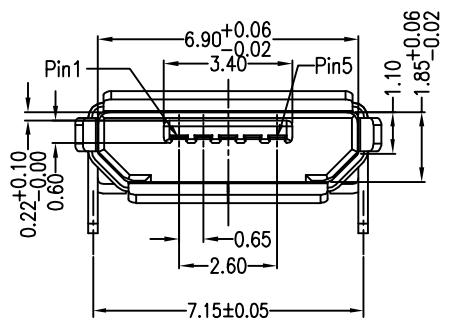
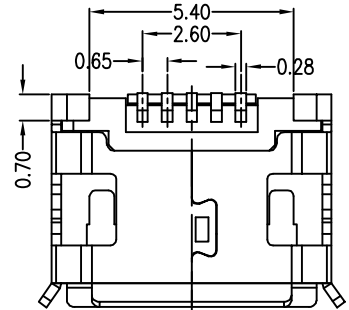
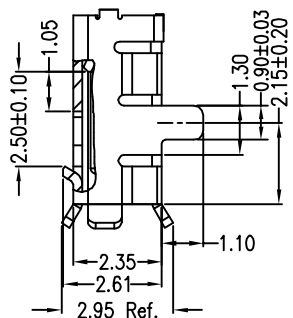
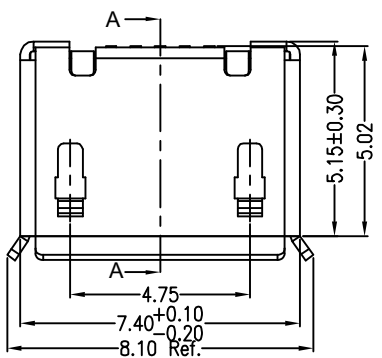
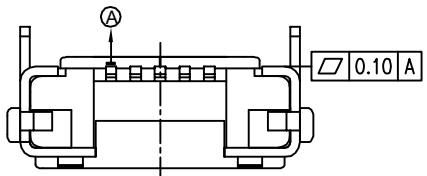
REV.	ECN NO	LOCATIONS	DESCRIPTION	DATE

A  
B  
C  
D  
E  
F

A  
B  
C  
D  
E  
F



SECTION A-A'



RECOMMENDED PCB LAYOUT

- Note:
- Material:
    - Housing: High temperature thermoplastic with g.f,UL94v-0
    - Contact: copper alloy,t=0.20mm
    - Shell: copper alloy,t=0.25mm
  - Specification:
    - Current rating: 1 A Max.
    - Dielectric withstanding voltage: 100 V(ac) for 1 min.
    - Contact resistance: 50 mW Max.
    - Insulation resistance: 100 MW Min.
    - Total mating force: 3.57 Kgf Max.
    - Total unmating force: 1.0 Kgf Min.0.81~2.05 Kgf Min.after 10000 insertion/extraction cycles
    - Temperature range: -30°C~80°C

**A 01 S B X X X X X X X 1-045**

① ② ③ ④ ⑤ ⑥ ⑦ ⑧ ⑨ ⑩ ⑪ ⑫ ⑬

- |                          |  |
|--------------------------|--|
| ① 产品代号 A:成品              | ⑥ 外壳电镀 0:素材;1: Ni100u'';2:雾Sn100u'';3:Ni+Au1u''(圆);4:全Au1u''   |
| ② 产品系列 01:micro usb 5pin | ⑦ 端子材质 4:05191R-EH 2:C2680R-EH   |
| ③ 产品类别 S:母座              | ⑧ 端子电镀 0:素材;1:全Au1u'';2:全Au1.5u'';3:全Au2u'';4:全Au10u'';5:全Au15u'';6:全Au30u'';7:雾Sn+Au1u'';8:雾Sn+Au2u'';9:雾Sn+Au3u'';10:雾Sn+Au5u'';11:雾Sn+Au10u'';12:雾Sn+Au15u'';13:雾Sn+Au30u'' |
| ④ 产品类型 B:B TYPE          | ⑨ 主体材质 1:LCP   |
| ⑤ 外壳材质 1:C2680R-H 5:SPCC | ⑩ 主体颜色 B:黑色 W:白色   |
|                          | ⑪ 包装方式 1:吸塑管;2:卷带;4:pe袋  |
|                          | ⑫ 下板类型 1:dip(插板)   |
|                          | ⑬ 细节流水 06:Micro usb 5P/F B Type dip 有导位有柱7.2(外壳加焊盘脚长1.1)   |

PART NO: AO1SBXXXXXX1-045		MATERIAL: SEE NOTE	
MODEL NO: XX		FINISH: SEE NOTE	
UNIT: MM	SIZE: A4	COLOR: SEE NOTE	
TOLERANCE UNSPECIFIED		DR: 夏友红	
.x	0.25	CHK:	
.xx	0.20	APP:	
.xxx	0.15	SCALE: 5:1	
Ang.	2'	DATE: 2012.05.21	
TITLE: Micro usb 5P/F B Type dip 有导位无柱7.2 (外壳加焊盘脚长1.1)		REV: A	
DWG NO: A045		DATE: 2012.05.21	

